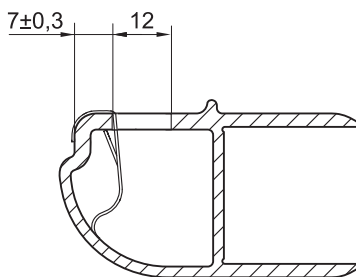
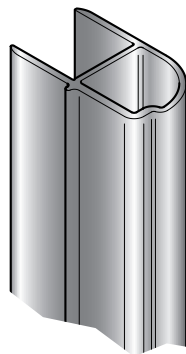


Profiles & attachments

There are a number of carefully tested profiles and attachments for the platform pillar in the Armaton system, which make it easy to achieve an elegant and stable bodywork. All parts are manufactured in anodized aluminum, which ensures that they are lightweight and maintenance-free.



Extension profile Armaton 3000 XF



Armaton 3000 XF

Extension profile

This profile has the same dimensions as the pillar and is intended for the extension of the front face. It is delivered in lengths of 6.0 meter.

Specification

Description

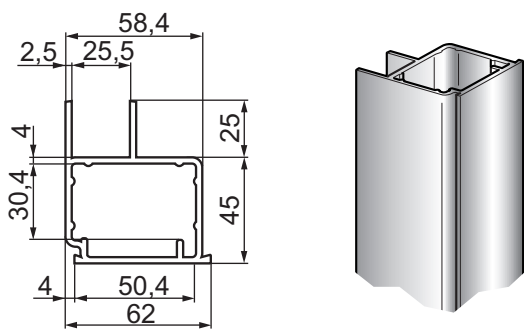
Extension profile, front face

Weight

0,9 kg/m

Part no

510210008



Assembly profile for vehicles with cover pillar or protective frame.
Part no 510410013

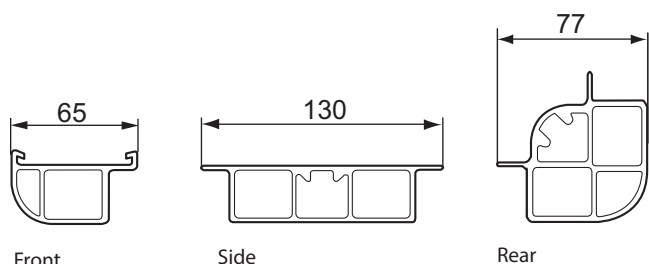
Armaton 4000 XF

Assembly profiles

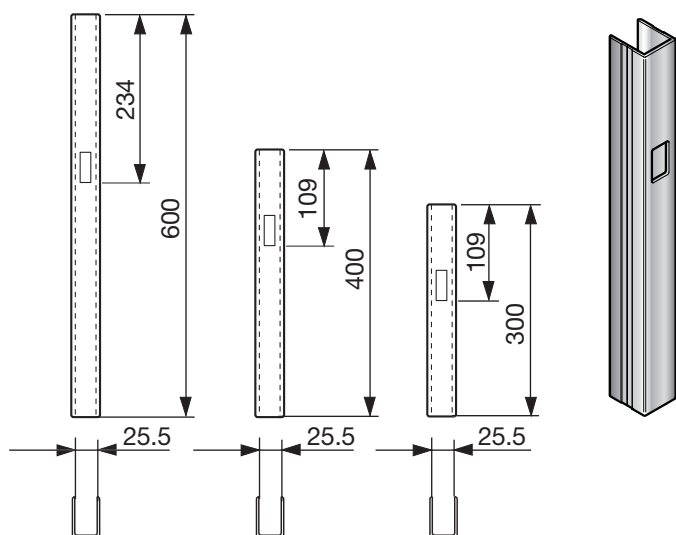
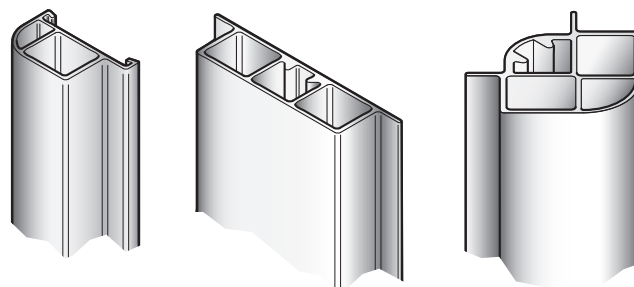
There are a number of assembly profiles to simplify construction. These profiles are manufactured in maintenance-free anodized aluminum. This makes it easy to achieve an elegant, functional and stable bodywork.

Extension profiles

These profiles have the same dimensions as the pillars and considerably simplify bodywork – resulting in an elegant and harmonious design.



Front Side Rear
Extension profiles Armaton 4000 XF



Edge caps Armaton 4000 XF

Specification

Description Armaton 4000 XF

Assembly profile for vehicles with cover pillar or protective frame, 6.0 m

Extension profile, front pillar, 5.2 m

Extension profile, side pillar, 5.2 m

Extension profile, rear pillar, 5.2 m

Edge cap, 300 mm dropside height, L/R

Edge cap, 400 mm dropside height, L/R

Edge cap, 600 mm dropside height, L/R

Weight

1,83 kg/m

1,66 kg/m

3,04 kg/m

3,46 kg/m

0,18 kg/st

0,23 kg/st

0,36 kg/st

Part no

510410013

510310001

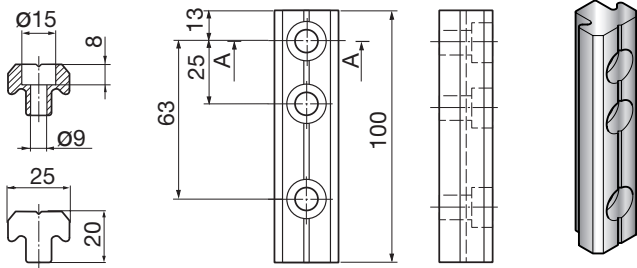
510310002

510310003

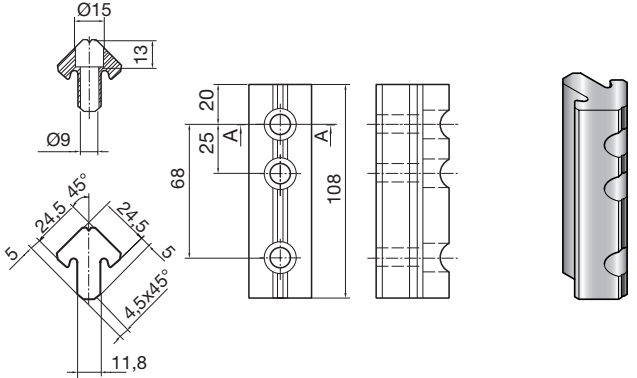
510310016

510310022

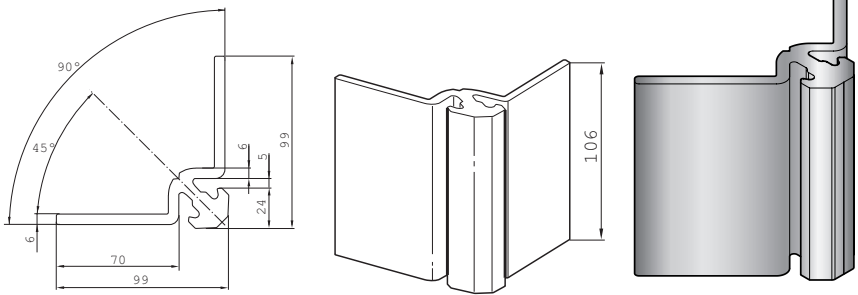
510310031



Side pillar bracket, 100 mm



Rear pillar bracket, 108 mm



Rear pillar bracket, integrated

Joint components Armaton 4000 XF, 4000 och 5000

Side pillars

There are different versions of aluminum brackets for side and rear pillars to suit different types of platforms and mounting methods.

Specification

Description

Side pillar bracket, 100 mm

Rear pillar bracket, 108 mm

Rear pillar bracket, integrated

Weight

0,10 kg/st

0,17 kg/st

0,45 kg/st

Part no

510410014

510410010

510410012

FORANKRA AB

Box 100

SE-447 23 Vårgårda, Sweden

Tel +46 322 66 78 00

www.forankra.se

armaton